

i3SWEZZ SEUNI(L)

The digital school board or touchscreen can be “sweezed” to each class for targeted explanation and learning. That way the rest of the class is less distracted. Also very suitable for giving lessons in combined classes. The long-run electrical height adjustment allows teachers to use the entire board - little children can also work on the board. The i3SWEZZ is of very solid and stable construction and extremely flexible to use.



For digital schoolboard SEUni-01*

For interactive boards in combination with the most common ultra-short throw projectors.

- or for whiteboard in combination with the most common ultra-short throw projectors.



For widescreen digital schoolboard SEUniL-01*

For widescreen interactive boards in combination with the most common ultra-short throw projectors.*

- or for widescreen whiteboard in combination with the most common ultra-short throw projectors.*



*When installed with column, SEUni-01 is recommended.



Option: Column ZLG-01

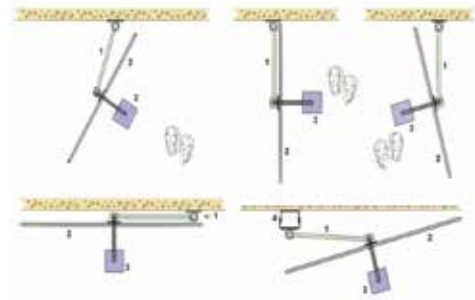
We advise to use a column if the installation wall is not very strong or from blasterboard.



SPECIFICATIONS

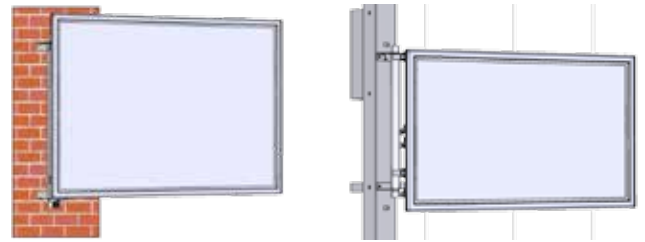
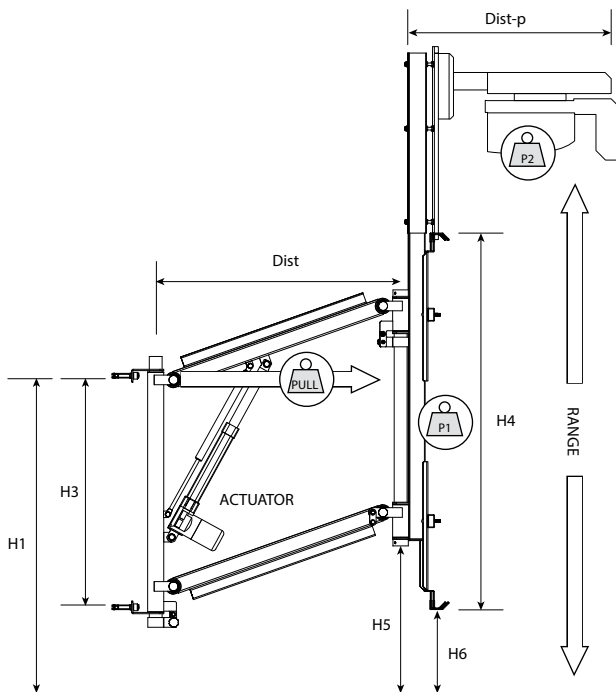
i3SWEEZZ Electric	SEUNI(L)-01
Actuator	3000 Newton
dist.	± 80 cm (4:3) - (L) ±107 (16:10)
range	± 67 cm
H4 (board)	99 - 144 cm
aspect	4:3 / 16:10 / 16:9
P1	max. 40 kg
dist-p	depending on projector mount
P2 (dist-p = 150 cm)	max. 8 kg
	max. 12 kg
H1	160 - 175 cm
H3	72 cm
H5 (H1=165 cm)	58 - 125 cm
H6 (□ H1 = 165 cm) pos. 1:	28 - 95 cm
pos. 3:	38 - 105 cm
pos. 5:	48 - 115 cm
Pull (Situation A)	≤ 115 kg
Pull (Situation B)	≤ 45 kg

Using i3SWEEZZ in different positions



- 1 i3SWEEZZ
- 2 digiboard
- 3 beamer
- 4 shaft (option for low load-bearing walls)

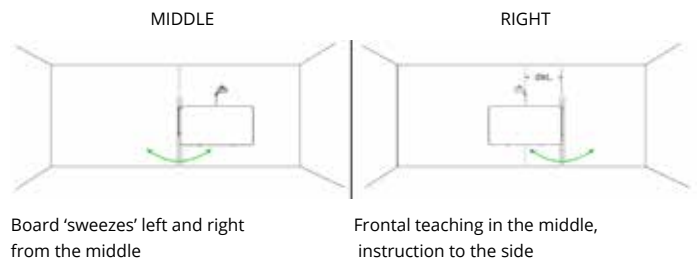
TECHNICAL



• The i3SWEEZZ can be fixed direct to a stone wall by means of rawlplugs.

• A stand can be used for plaster and partition walls to provide sufficient load-bearing capacity.

Placing: middle, right, left, on a stand, between two frames, etc. - Turns through 360°.



AUTHORISED DISTRIBUTOR



WWW.I3-TECHNOLOGIES.COM
INFO@I3-TECHNOLOGIES.COM