



i3FLOORSTAND

TIP & TOUCH STAND ELECTRIC (max 95kg)

062.7650-95

Tip & Touch stand (motorized tip f.) (H=660/1320mm) 85 kg

This product has specifically been developed for touch screens which would be used in the table position; we call it the Tip & Touch stand. This wheeled stand has electrical height adjustment from 730-1320 mm (table height). The Tip & Touch stand comes with an electrical tip function. Furthermore the head of the stand contains a fixed bracket with most VESA-patterns integrated. In the baseplate two sets of mounting holes are integrated. Here a double base plate is used; mount the lifts in its second position (the back position looking at the front side of the base plate). A display of max. 95 kg (max. 85 inch) can be attached. Please note: Check if your display/flat screen is suitable for horizontal use



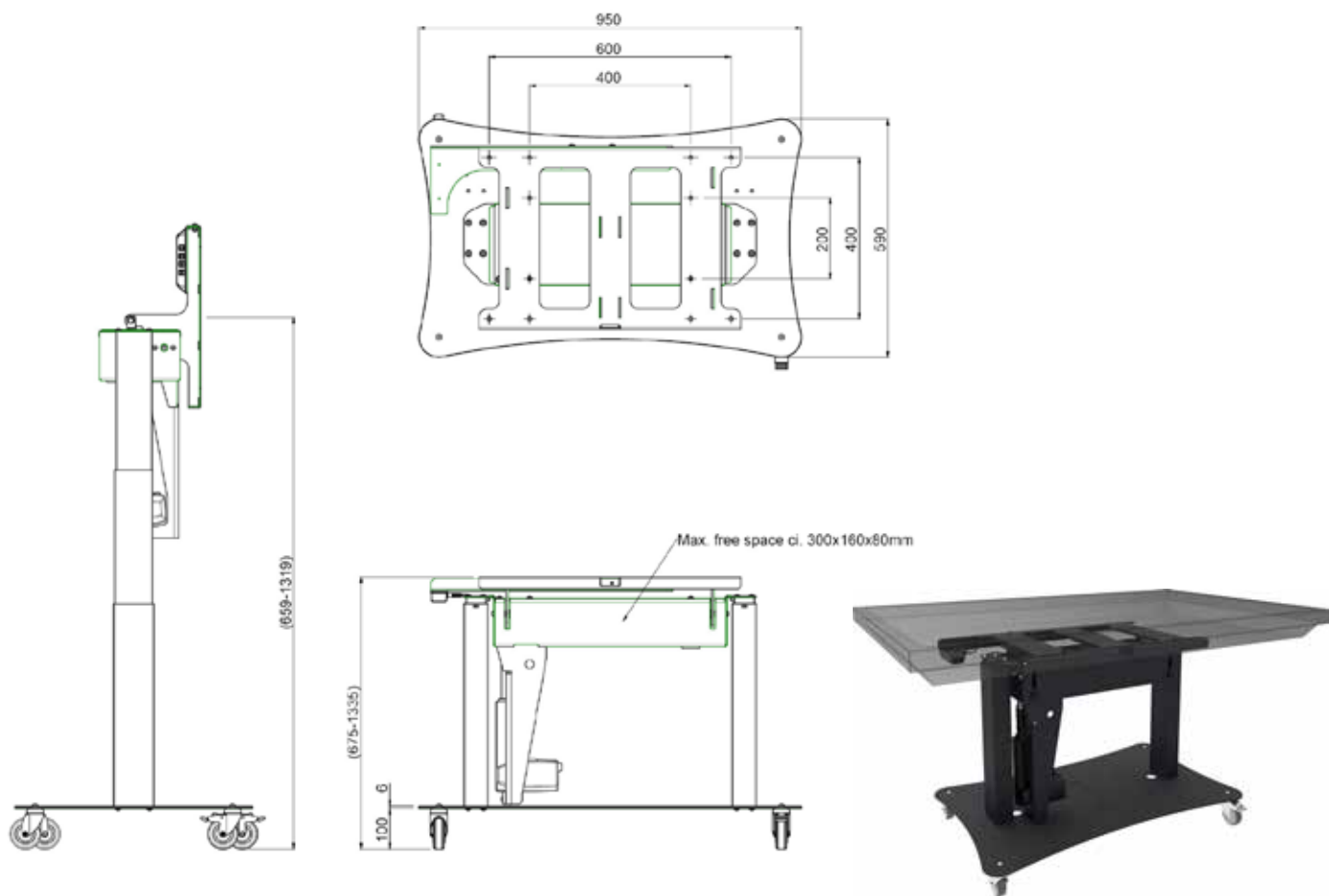
SPECIFICATIONS

Model name	Tip & touch stand manual
Minimal length	730 mm
Maximum length	1320 mm (table height)
Weight	65.00 kg
Colour	Black
Maximum load	95 kg
Inch range	max. 85 inch
Screen position	Landscape
Mobile / fixed	Mobile
Bracket/interface	Included
Type bracket/interface:	VESA
Range bracket/interface	VESA 200, 400, 600-400
Tilt function	90°
Other information	Tip function: Motorized

Warranty:

5 year except 3 year on the electric components

TECHNICAL DRAWINGS



AUTHORISED DISTRIBUTOR