



# i3HUDDLE

## W5502 4K C-SENSE

A PLUG & PLAY TOTAL MEETING ROOM SOLUTION THAT ALLOWS YOU TO FOCUS ON DOING YOUR JOB

Walk up to the whiteboard, draw, annotate, share and convert. No training required; it is straightforward and intuitive. i3HUDDLE is a simple, hassle-free meeting solution that connects people in a secure environment. Whether doing an online sales demo, setting up a meeting with colleagues in another location or hosting a web conference, interactive meeting has never been easier than with the i3HUDDLE total meeting solution. i3HUDDLE – your efficient and secure meeting solution around your conference table or halfway across the world.

### INTERACTIVE

- Connects professionals in a secure environment
- C-sense touch technology: Finger or stylus
- Multi-user interaction with up to 10 touch points
- Very accurate: even the slightest touch can register an input

### INSPIRING

- Facilitates online presentations, trainings or demos
- Intuitive, no training required
- Reduces travel time, increases efficiency, saves time
- High durability
- Extremely precise and fast response
- Increased product life span
- 4K resolution for crystal clear visuals

### INTEGRATED

- Wireless presenting tool with i3SYNC
- Quick whiteboarding with i3NOTES
- \*i3MEETINGHUB, Skype, Excel, PowerPoint and web browsing
- 4 mm Anti-Reflexion safety glass
- Built-in audio amplifier and speakers
- Professional panel for 24/7 use
- Standard wall-mount included
- Warranty: 3 year and 48 hour onsite swap service

\*optional



### CAPACITIVE TOUCH TECHNOLOGY

A capacitive touchscreen, as smartphones and tablets, uses the electrical properties of the human body. The human body is conductive, meaning electricity can pass through it. So when you touch a capacitive screen with the tip of your finger (think of it as another electrical conductor), you cause a change in the screen's electrical field. Even the slightest touch of your finger will be measured. C-SENSE is by far the most accurate and precise touch technology, with unequalled user experiences as a result.



### PROTECT YOUR INVESTMENT

Our enhanced service programs and extended warranties are designed to keep your system running smoothly. From on-site service to advanced exchange options, we're committed to providing the very best service, through our network of partners. Standard the i3Huddle product comes with a 3 year warranty and 48 hour onsite swap service. Simply call our local service number indicated on your units, or your IT/AV professional.

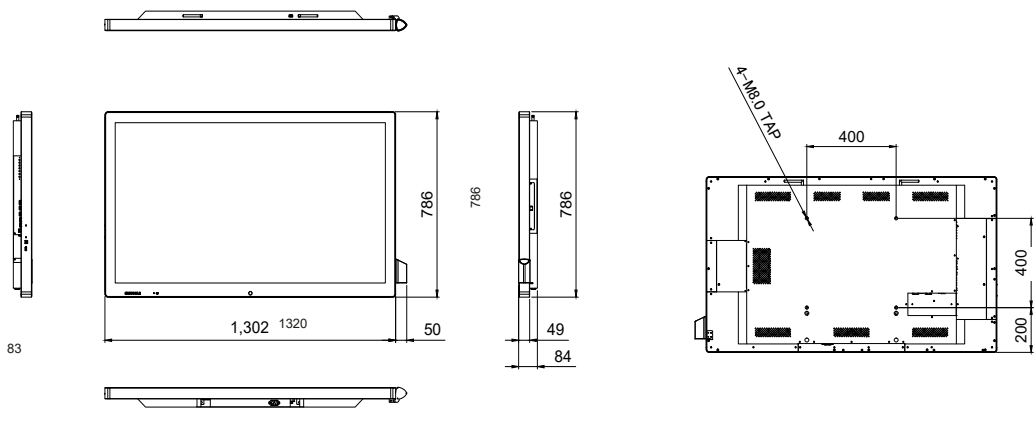


i3-TECHNOLOGIES

|                                      |  |
|--------------------------------------|--|
| <b>Model type</b>                    | <b>i3HUDDLE W5502 4K</b>                               |
| <b>PANEL</b>                         |  |
| <b>Diagonal Size</b>                 | 55"  |
| <b>Native Resolution</b>             | 3840x2160  |
| <b>Brightness</b>                    | 450 cd/m2  |
| <b>Contrast Ratio</b>                | 1400:1   |
| <b>Response Time (G to G)</b>        | 5 ms   |
| <b>Aspect Ratio</b>                  | 16:9   |
| <b>Display Colors</b>                | 10bit(D), 1.06 B colors                                |
| <b>Viewing Angle Hor./Ver.</b>       | 178°/178°  |
| <b>Display Frame Rate</b>            | 120 Hz   |
| <b>Glass</b>                         | Tempered Anti-glare Glass 4mm                          |
| <b>CONNECTIVITY</b>                  |  |
| <b>Inputs</b>                        | HDMI, USB for touch, RJ45, USB for webcam              |
| <b>Audio out</b>                     | Mini jack  |
| <b>Communication Port</b>            | RS232  |
| <b>OPS slot</b>                      | Slot included, OPS pc not included                     |
| <b>OTHER</b>                         |  |
| <b>Speakers</b>                      | 10W x 2 stereo   |
| <b>Touch technology</b>              | C-Sense 10 touch                                       |
| <b>Touch tool</b>                    | Stylus or finger                                       |
| <b>Plug &amp; play</b>               | Upwards Windows 7, OSX 10.6, Android, ChromeOS & Linux |
| <b>Power requirement</b>             | 100 - 240V AC, 50/60 Hz                                |
| <b>Power consumption</b>             | Max. 121 W   |
| <b>Power consumption stand-by</b>    | < 2.4 W  |
| <b>MTBF</b>                          | 50.000h  |
| <b>Anti-collision tempered glass</b> | 4mm  |
| <b>Wireless presenting tool</b>      | i3SYNC   |
| <b>Dimensions</b>                    | 1320 x 786 x 83 mm                                     |
| <b>Dimensions package</b>            | 1615 x 375 x 150 mm                                    |
| <b>Weight net</b>                    | 56 kg  |
| <b>Weight total</b>                  | 76 kg  |
| <b>VESA mount</b>                    | 600 x 400 mm M8  |
| <b>ACCESSORIES</b>                   |  |

|                                    |  |
|------------------------------------|--|
| <b>i3SYNC Pro FHD transmitters</b> | 2 units  |
| <b>i3SYNC Charge Station FHD</b>   | 1 unit   |
| <b>Power cord</b>                  | 3 m  |
| <b>HDMI cable</b>                  | 3 m  |
| <b>USB cable A male - B male</b>   | 3 m  |
| <b>Documentation</b>               | User manual  |
| <b>HDMI converter</b>              | Mini Display Port - HDMI<br>Display Port - HDMI<br>Mini HDMI - HDMI                              |
| <b>Stylus</b>                      | 2 units  |
| <b>Stylus holder</b>               | 1 unit   |
| <b>Optional accessories</b>        | i3HUDDLE OPS<br>i3HUDDLE OPS + Interface + Apps<br>i3SYNC FHD transmitter<br>i3FLOORSTAND mobile |

**TECHNICAL DRAWING**



**AUTHORISED DISTRIBUTOR**